

40 Log Canoe Circle, Stevensville, MD, 21666 USA
 Phone (410) 604-3400 Fax (410) 604-3500

Bardac

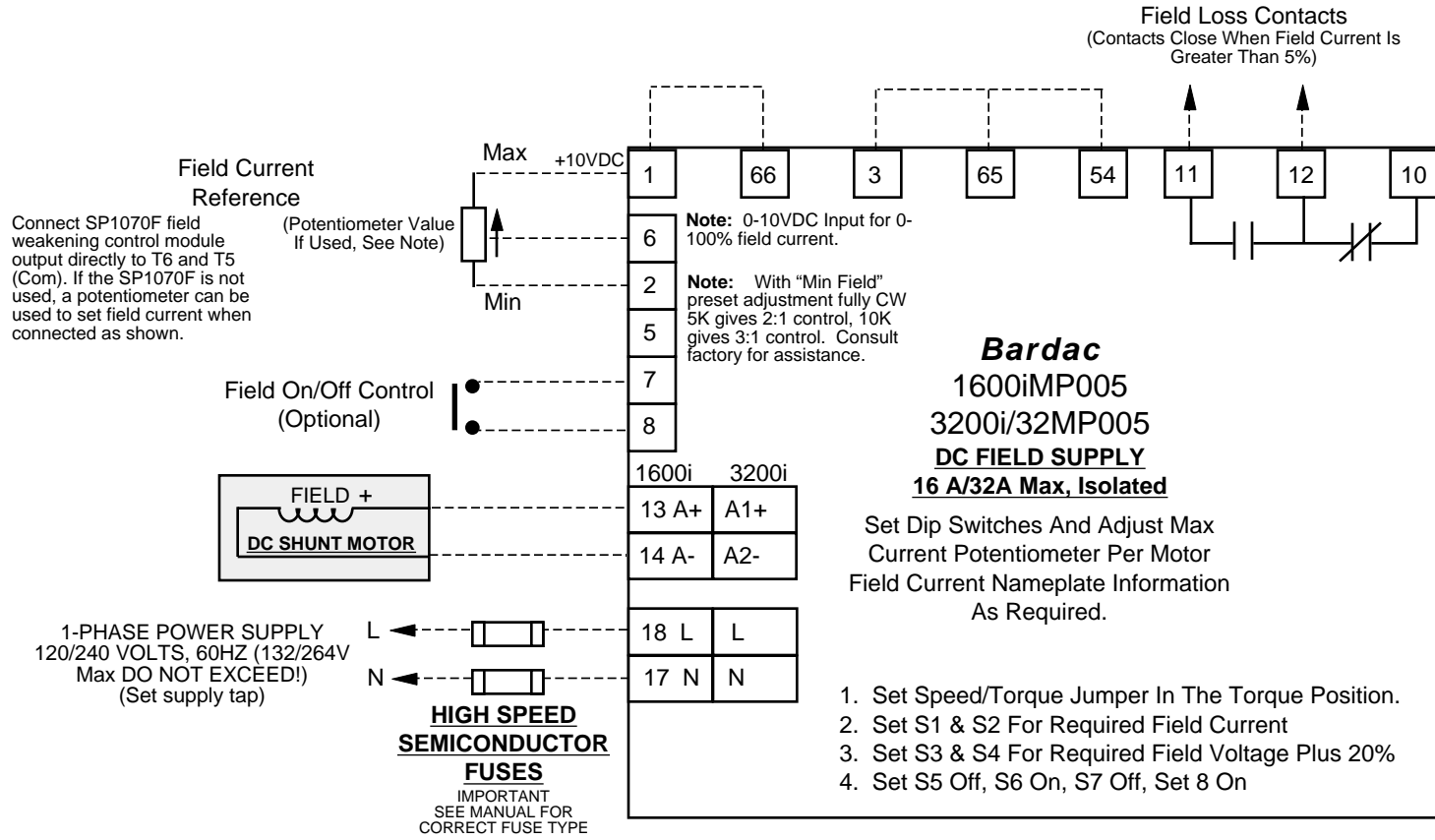
Issue	Date
A	4/30/97
B	3/16/98
C	11/4/98
D	2/29/00
E	11/2/01

Title	MODULUS
	1600IMP005
Dwg. No. 500781	3200i/32MP005
	Field Supply with Field Loss Detection

DO NOT SCALE

DOTTED LINES SHOW CUSTOMER CONNECTIONS
 DEVICES SHOWN SUPPLIED BY OTHERS

WARNING!
 This drawing is not intended to be used without the Installation & Operation manual appropriate for this device.



For panel mounting in a suitable enclosure

This unit is designed to regulate field current thus controlling the field flux of a DC shunt wound motor.

Remote adjustments can be made to the field current via an externally derived setpoint. This setpoint can be set by either a potentiometer (configured as shown) or a suitable 0-10VDC analog reference voltage. The input impedance of terminal 6 is 50K.

Loss of field current is detected and an indication is provided by "volt-free" contact relay switching.

The unit can be configured to remotely switch the field on and off via a contact closure.

The field voltage available to achieve full current is determined by the AC input voltage. The DC voltage available at the field terminals will be approximately .9 x supply volts. Example: (240VAC line x .9 = 216VDC field volts maximum). Please consult Bardac for more details.